



TYING MACHINE

TTM-45



- Quality that guarantees performance
- Rugged construction for long life
- Trip-Lock is standard feature for operator safety
- All shafts are ball or needle bearings with grease fittings
- Needle bearing spindle standard
- External button tension adjustment standard
- More drawback lever motion allows the machine to tie smaller bundles
- Large diameter twine arm hub and twine arm for stability
- Machine is equipped with a cam actuated mechanical brake – Mechanical brakes appreciably extend the life of the main gear and the chain gear

The TTM-45 serves many industries and applications and is the new "workhorse" of the Newspaper, Printing and Publishing Industries. The TTM-45 is designed to run the most economical tying material (Poly Tape) as well as twine. The basic design of the machine makes it the most maintenance-free tying machine on the market.

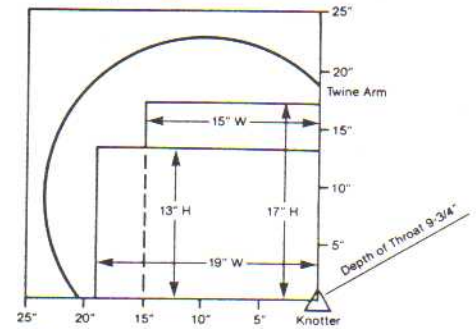


9024 S. Oketo Avenue • Bridgeview, IL 60455
Phone: 708/599-5588 • Fax: 708/599-2438

SPECIFICATIONS TTM-45 Tying Machine

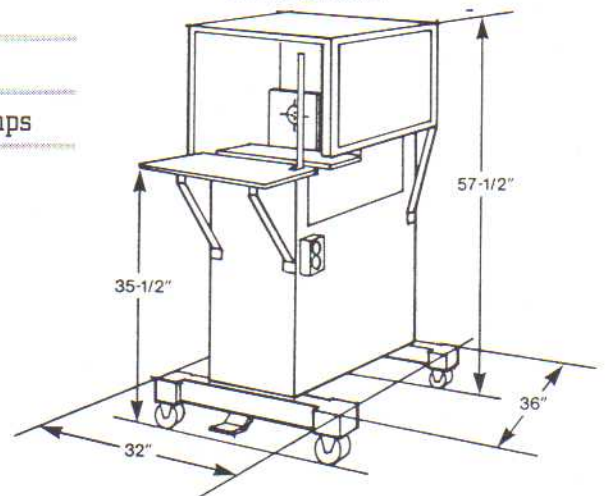
Floor Area	32" x 36" x 57-1/2"
Table Height	35-1/2"
Cycle Time:	
Standard Model	40 per minute
Wrapping Patterns:	Single Wrap Double Wrap Cross Tie Double Wrap One Way Three Wrap Cross Tie Triple Wrap One Way
Shipping Weight	350 lbs.
Electrical Requirements:	115 Volts, 60 Hz, 1 Ph, 5 Amps

Capacity Chart*



*Chart illustrates arc of twine arm, and maximum capacity of machine.

Dimensions



DISTRIBUTED BY

TYing TECHNOLOGY . . . *The answer to modern bundling is in our name*



9024 S. Oketo Avenue • Bridgeview, IL 60455
Phone: 708/599-5588 • Fax: 708/599-2438

PRINTED IN U.S.A.